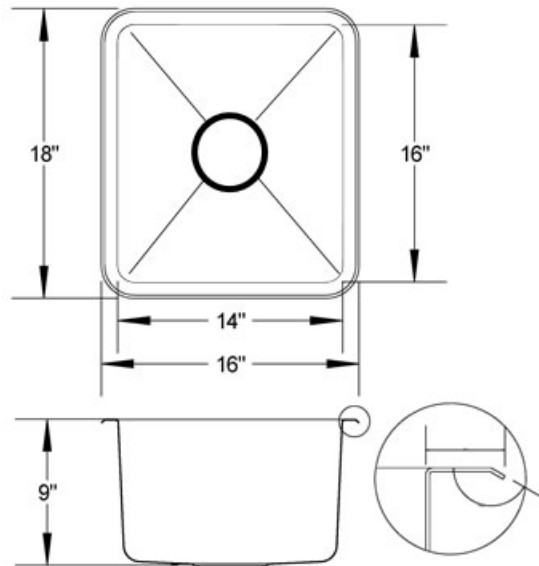




KAZZA HANDMADE



OPTIONAL ACCESSORIES:

The following accessories are available for your sink

KH16-1300



Model:	KH16-1300
Description:	Bar Square Sink Radius 20
Material:	304 Premium Stainless Steel
Color:	Stainless Steel
Mounting options:	Under-Mount
Finish:	Brushed Satin
Thickness:	16 gauge
Sound proofing:	5 Point Sound Deadening System
Construction method:	Handmade
Drain size:	3-5/8" Standard USA/Canada
Fits cabinet size:	Made for cabinets 24" and Larger

INCLUSIONS:

Kazza Handmade sink includes the following:
Paper template for cut-out
Mounting hardware for under-mount & Drop-In.
Grid to protect bottom of the sink and Stainless steel drain

WWW.KAZZASINKS.COM